

LINEAR STRIP LIGHT LUMINAIRES



Description

Venture Lighting's LED linear strip light luminaires are an excellent choice for either continuous row or stand-alone applications where a value-based lighting solution is required. Offered in multiple lengths, lumen packages and with a variety installation mounting features, Venture's strip lights can be a primary linear solution. In addition to versatility, all of Venture's strip lights are DLC Premium listed, allowing the ability to maximize your energy savings and potentially obtain the highest rebates in your area.

Performance

- CCT options: 3500K, 4000K, or 5000K
- CRI: 80+
- DLC Premium Certified
- Efficiency of up to 134 lumens per Watt

Construction

- The housing is constructed from cold rolled steel to provide rigidity and strength.
- Each housing is finished with a white polyester powder coat.
- Fixtures are designed for individual or continuous row mounting.
- Each fixture is supplied with a pair of easy to use surface mount clips.

Optics

- Semi-diffuse acrylic lens standard
- Lens easily removed to allow access to fixture wiring compartment.

Electrical

- Standard Universal Voltage - 120-277V 50/60 Hz
- Standard 0-10V DC dimming (Wattage range: 10% to 100%)
- Optional 10W battery back-up factory installation available
- Operating Temperature Range: -4°F to 122°F (-20°C to 50°C)

Installation

- Fixtures snap into surface mount clips (supplied) for quickly installing onto a ceiling or wall.
- Fixtures are also capable of being suspended by the clip and hook provided.

Controls

- Standard 0-10V DC dimming (Wattage range: 10% to 100%)
- Factory installed motion sensor options available

Warranty

- 5-year warranty

Compliance

- cULUS Listed
- DLC Premium Certified
- Rated for damp and dry locations

Catalog Number

Type

Date

Notes



Surface mount brackets, included



Ordering & Model Number Information

| Luminaire Length | Luminaire Wattage | Order Code | Product Description | DLC Model Number | Replaces Existing Luminaire |
|------------------|---------------------------|-------------|---------------------------|------------------|-----------------------------|
| 4ft | 30W | SM16298 | 3500K; 120-277V; 3960 lm | SM3-30B84AD | 2 x 32W T8 Fluorescent |
| | | SM87612 | 4000K; 120-277V; 3990 lm | SM3-30N84AD | |
| | 45W | SM12536 | 5000K; 120-277V; 4020 lm | SM3-30C84AD | 2 x 32W T8 Fluorescent |
| | | SM55014 | 3500K; 120-277V; 5850 lm | SM4-45B84AD | |
| 8ft | 54W | SM59116 | 4000K; 120-277V; 5900 lm | SM4-45N84AD | 80W T12 Fluorescent |
| | | SM19897 | 5000K; 120-277V; 5940 lm | SM4-45C84AD | |
| | 90W | SM15401 | 3500K; 120-277V; 7120 lm | SM3-54B88AD | 200W T12 Fluorescent |
| | | SM51723 | 4000K; 120-277V; 7180 lm | SM3-54N88AD | |
| | | SM85903 | 5000K; 120-277V; 7230 lm | SM3-54C88AD | |
| | | SM81371* | 3500K; 120-277V; 11700 lm | SM4-90B88AD | |
| SM54127 | 4000K; 120-277V; 11790 lm | SM4-90N88AD | 200W T12 Fluorescent | | |
| SM80426 | 5000K; 120-277V; 11800 lm | SM4-90C88AD | | | |

* Contact for lead time

Factory installed accessories are available, see page 2.

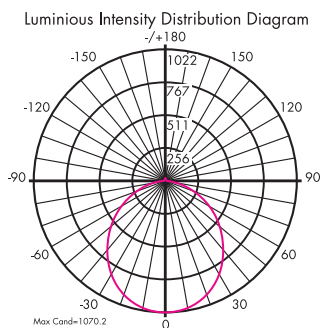
LINEAR STRIP LIGHT LUMINAIRES

Performance Data

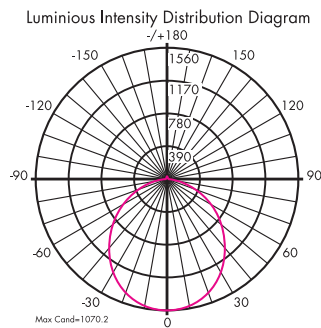
| Wattage | CCT (°K) | Lumen Output | CRI | Lumens Per Watt | Amp. Draw (A) | | Rated Life Hours | Full Power IES File | Battery Back-up Mode Lumens | Battery Back-up Mode IES File |
|---------|----------|--------------|-----|-----------------|---------------|------|------------------|---------------------|-----------------------------|-------------------------------|
| | | | | | 120V | 277V | | | | |
| 30W | 3500K | 3960 | 80 | 132 | 0.25 | 0.11 | 50,000 | IES File | 1630 | IES File |
| | 4000K | 3990 | | 133 | | | | | | |
| | 5000K | 4020 | | 134 | | | | | | |
| 45W | 3500K | 5850 | 80 | 130 | 0.38 | 0.17 | 50,000 | IES File | 1830 | IES File |
| | 4000K | 5900 | | 131 | | | | | | |
| | 5000K | 5940 | | 132 | | | | | | |
| 54W | 3500K | 7120 | 80 | 132 | 0.45 | 0.20 | 50,000 | IES File | 1880 | IES File |
| | 4000K | 7180 | | 133 | | | | | | |
| | 5000K | 7230 | | 134 | | | | | | |
| 90W | 3500K | 11700 | 80 | 130 | 0.75 | 0.33 | 50,000 | IES File | 1880 | IES File |
| | 4000K | 11790 | | 131 | | | | | | |
| | 5000K | 11880 | | 132 | | | | | | |

Photometrics

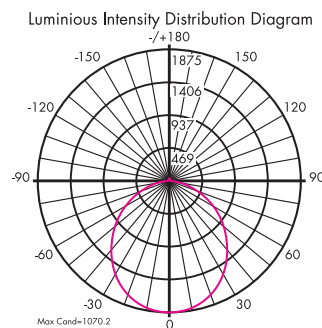
30W Linear Strip Light



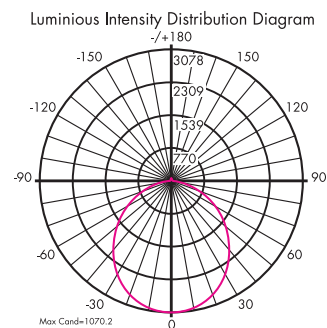
45W Linear Strip Light



54W Linear Strip Light



90W Linear Strip Light

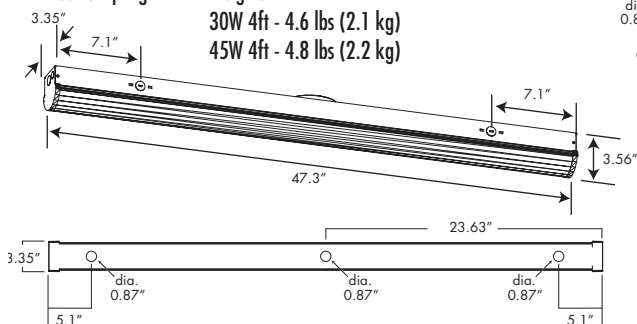


Dimensions

4ft Linear Strip Light

Weights

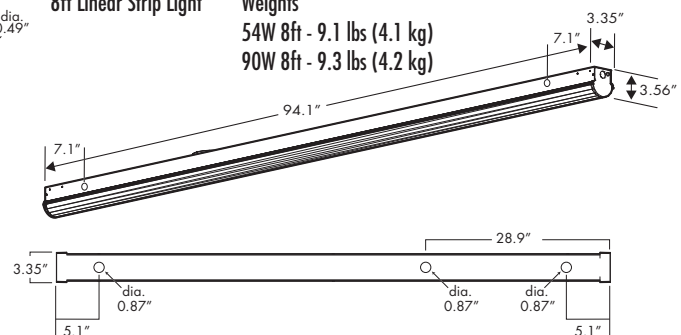
30W 4ft - 4.6 lbs (2.1 kg)
45W 4ft - 4.8 lbs (2.2 kg)



8ft Linear Strip Light

Weights

54W 8ft - 9.1 lbs (4.1 kg)
90W 8ft - 9.3 lbs (4.2 kg)



Accessories

- PH41623 - Motion only control sensor
- PH77409 - Motion/Photocell/Dim control sensor
- AC25420 - 3/8" 3-wire 14/3 600V Max. 6ft Flex.Whip

Factory installed accessories:

- Add suffix "-S1" to order code for a factory installed fixture with a MOTION ONLY Sensor part # PH41623
- Add suffix "-S2" to order code for a factory installed fixture with a MOTION/DIM/PHOTOCELL Sensor part # PH77409
- Add suffix "-EM" to order code for a factory installed 10W battery back-up
- Add suffix "-WP1" for 6ft 3-wire whip factory installed on the end of the strip.
- Add suffix "-WP2" for 6ft 3-wire whip factory installed on the back of the strip.

(800) 451-2606

Fax: (800) 451-2605
2451 Enterprise Parkway East
Twinsburg, OH 44087 USA
E-mail: venture@adlt.com

VentureLighting.com

